

AUTOVUE 3D PROFESSIONAL ADVANCED

KEY FEATURES AND BENEFITS

KEY FEATURES

- Views hundreds of document types
- Adds markups and comments
- Performs precise 3-D and 2-D measurements
- Compares 3-D & 2-D designs
- Creates exploded views
- Sections 3-D models
- Views 2-D models and drafts
- Performs 3-D entity searches
- Creates digital prototypes
- Delivers advanced printing capabilities

KEY BENEFITS

- Extend the reach of technical documents to all enterprise users
- Standardize your design review and troubleshooting process
- Reduce costs and delays by detecting and resolving design issues early
- Access documents easily with native document viewing
- Drive innovation through improved communication and multiparty real-time collaboration
- Collaborate without risking intellectual property

"AutoVue enables concurrent engineering at Selex and impacts productivity by allowing fast and accurate global design team reviews. This improves our time to market and product quality by aligning multidiscipline engineering and production teams at every stage in the product development process."

—Dr. Claudio Ianiciello,
Director of PLM Technologies,
Selex Communications

With its native document viewing, markup, and real-time Web-based collaboration capabilities, Oracle's AutoVue 3D Professional Advanced makes business and technical documents accessible to everyone in an organization. Global design centers, supply chain partners, and internal departments can efficiently access, share, and collaborate on 3-D/2-D computer-aided design (CAD) documents earlier in the design process to improve productivity, expedite design reviews, reduce errors, and accelerate innovation and time to market.

Extend the Reach of Technical Documents to All Enterprise Users

AutoVue 3D Professional Advanced makes technical information, including 2D/3D CAD, EDA, Graphic, Office and PDF documents, available to all enterprise users, regardless of their technical skills and without requiring costly authoring applications. Team members are connected sooner in the product development cycle, and can make sound business decisions faster based on reliable information.

Streamline Design Reviews and Promote Better Communication

Global team members can use AutoVue 3D Professional Advanced to easily view, review, verify and provide feedback on designs changes and development progress. Design review and troubleshooting processes can be standardized on a single solution, improving communication across the enterprise, and avoiding organizational and technology issues that hinder collaboration and impact negatively on costs, schedules, and product quality.

Drive Innovation through Improved Global Collaboration

AutoVue 3D Professional Advanced delivers the foundation for an efficient collaborative platform, driving collaborative best practices and fostering innovation at all stages of the product lifecycle. The real-time collaboration capabilities of AutoVue 3D Professional Advanced, Web version, help organizations to connect everyone in the global enterprise, allowing co-workers and partners to communicate as if they were in the same room, even if they are located on the other side of the world. Users can simultaneously review and mark up documents, exchange ideas, assign action items, and resolve design issues in real time.

Accelerate Time-to-Market with Digital Prototyping

AutoVue 3D Professional Advanced shortens time-to-market by enabling faster digital design reviews and efficient digital prototyping. Users can easily import and combine parts and components of various native 3-D CAD designs to create virtual prototypes, check for potential interferences, and validate design integrity without

**EXTEND THE REACH OF
INFORMATION WITHIN AND
OUTSIDE YOUR
ORGANIZATION**

ORACLE'S AUTOVUE MOBILE

AutoVue Mobile enables global organizations extend the reach of technical information and business processes to disconnected users within and outside an organization.

Through the sharing of Mobile Packs, AutoVue Mobile significantly improves how teams interact with information and one another, increasing visibility of key technical data, and providing insight into the context surrounding the documents. Teams can collaborate more effectively and securely with global supply chain partners, allowing them to meet the rigorous demands of product development and achieve competitive advantage.

the expense and time associated with conventional physical prototypes.

Collaborate without Risking Intellectual Property

The Web version of AutoVue 3D Professional Advanced allows users to securely collaborate with extended teams and outsourced partners on sensitive documents without risking a company's valuable intellectual property (IP). AutoVue Web version's unique streaming technology provides access to the full intelligence of documents without transferring the original files to the client desktop; originals never leave the server, and no local temps or cache files of any kind are created in the process, ensuring that a company's IP remains under the total control of its owner.

Key Features and Capabilities

View hundreds of document types. AutoVue delivers native document viewing capabilities, allowing users to easily access the full, embedded intelligence in a 3D model or a 2D drawing—all without the authoring software and without undergoing costly and error-prone document conversions.

Add markups and track reviews & comments. Add markups, as well as sound, video and graphic attachments to your documents. Easily manage and track feedback, change requests, and comments across multiple reviewers.

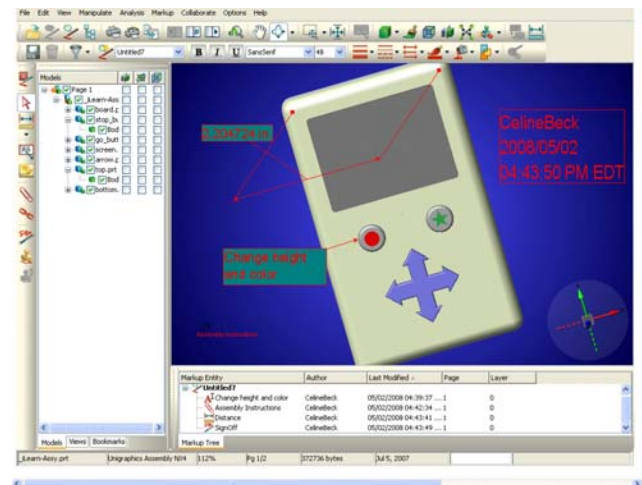


Figure 1: View and mark up 3D CAD files.

Enable digital sign-off – Quickly approve markups and comments with digital sign-off. The sign-off stamp contains information about the markup author, date and time of creation, providing a reliable trail of changes and approvals. Reviewers can also use AutoVue's IntelliStamp to electronically sign and stamp document sets with attributes from the back-office system. With IntelliStamp, users can trigger workflow actions directly from within documents reviewed in AutoVue, allowing for workflow automation and improved business processes.

Convert documents to TIFF or PDF - For organizations that need to comply with industry or corporate standards, AutoVue provides the ability to generate TIFF or PDF renditions of your documents.

MCAD Features and Capabilities

Perform precise 3-D and 2-D measurements. Speed up design reviews with precise measurements including mass properties, distance, areas, angles, and more.

Compare designs. Instantly determine what has been added, removed, or changed in your designs by comparing 3-D assemblies. This unique feature goes beyond a graphical comparison and includes the ability to detect changes to nongraphical attributes at the part or assembly level. AutoVue 3D Professional Advanced also supports graphical comparison of 2-D files.

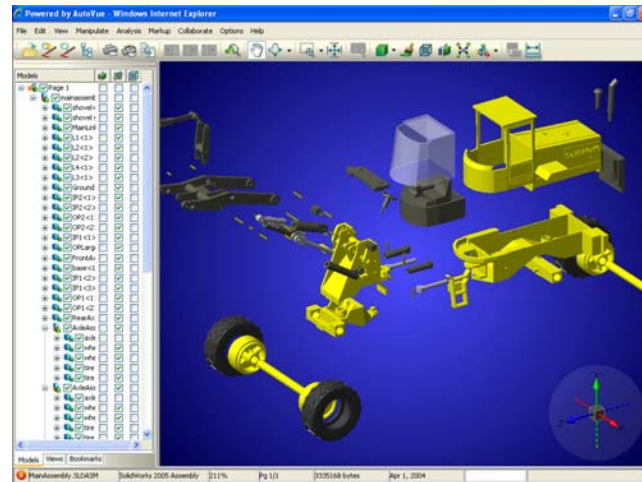


Figure 2: Explode 3-D assemblies into component parts.

Create exploded views. Explode complex 3-D assemblies to reach the component level more quickly and create clear illustrations for control documents such as assembly and maintenance instructions.

Section 3-D models. Cross-section assemblies or parts across multiple planes to draw attention to internal structures and assembly relationships or measure dimensions within individual parts.

Share product manufacturing information (PMI), geometric dimensioning and tolerance (GD&T), and functional tolerance annotation (FTA) data. AutoVue delivers support for PMI, GD&T, and FTA data. Manufacturing personnel can instantly access, view, and review important product specifications and ensure that products are manufactured in compliance with design engineering's intent.

View 2-D models and draft models. Access 2-D drafts associated with 3-D models.

Perform 3-D entity searches. Quickly find the information you need by searching and filtering for parts in a 3-D assembly based on a variety of native file attributes.

INTEGRATE WITH ENTERPRISE APPLICATIONS

ORACLE'S AUTOVUE ENTERPRISE VISUALIZATION PRODUCTS

The Web version of AutoVue products can be integrated into existing content management, product lifecycle management, or enterprise resource planning systems, as well as file servers or home-grown solutions. Integrated with existing enterprise systems, AutoVue connects information, people and processes, delivering anytime, anywhere access to vital information and maximizing business process efficiency. Teams can better collaborate and make sound business decisions, driving innovation and operational efficiency.

RELATED PRODUCTS

- AutoVue 2D Professional
- AutoVue EDA Professional
- AutoVue Electro-Mechanical Professional
- AutoVue Office
- AutoVue Mobile
- AutoVue VueLink Integration

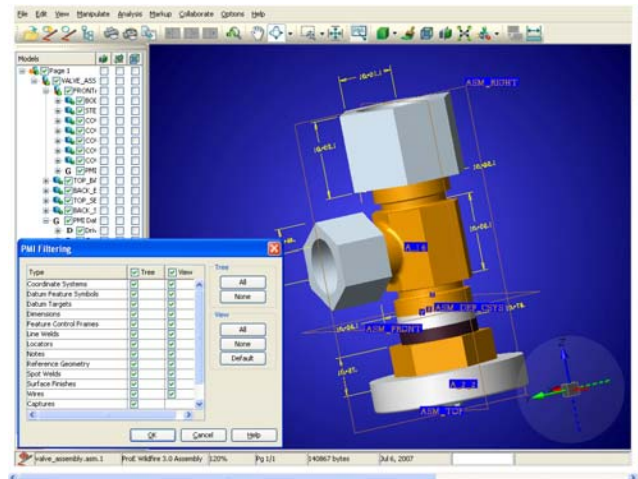


Figure 3: View PMI, GD&T, and FTA data.

Use advanced printing. Save time by automating the printing process—batch print files, customize print settings, and save printing configurations.

Contact Us

For more information about Oracle's AutoVue 3D Professional Advanced, please visit oracle.com/applications/autovue or call +1.800.361.1904 or +1.514.735.3219 to speak to an Oracle AutoVue representative.

Copyright © 2008, Oracle and/or its affiliates. All rights reserved.

This document is provided for information purposes only, and the contents hereof are subject to change without notice. This document is not warranted to be error-free, nor is it subject to any other warranties or conditions, whether expressed orally or implied in law, including implied warranties and conditions of merchantability or fitness for a particular purpose. We specifically disclaim any liability with respect to this document, and no contractual obligations are formed either directly or indirectly by this document. This document may not be reproduced or transmitted in any form or by any means, electronic or mechanical, for any purpose, without our prior written permission.

Oracle is a registered trademark of Oracle Corporation and/or its affiliates. Other names may be trademarks of their respective owners.